



MERSEN USA NEWBURYPORT-MA, LLC  
374 MERRIMAC STREET  
NEWBURYPORT, MA 01950

TITLE

OUTLINE

202A3079  
CONT ON SH

SH 2

UNLESS OTHERWISE SPECIFIED, TOLERANCES ARE

SURFACES ✓	2 PL DEC ±	3 PL DEC ±	ANGLES ± DEG
---------------	---------------	---------------	-----------------

FIRST MADE FOR CPO

Current Limiting Fuse Type EJ-2

REVISIONS

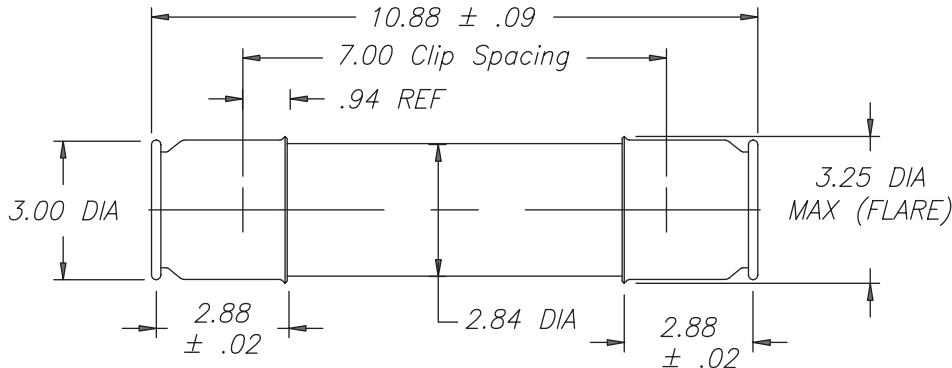


FIG 03

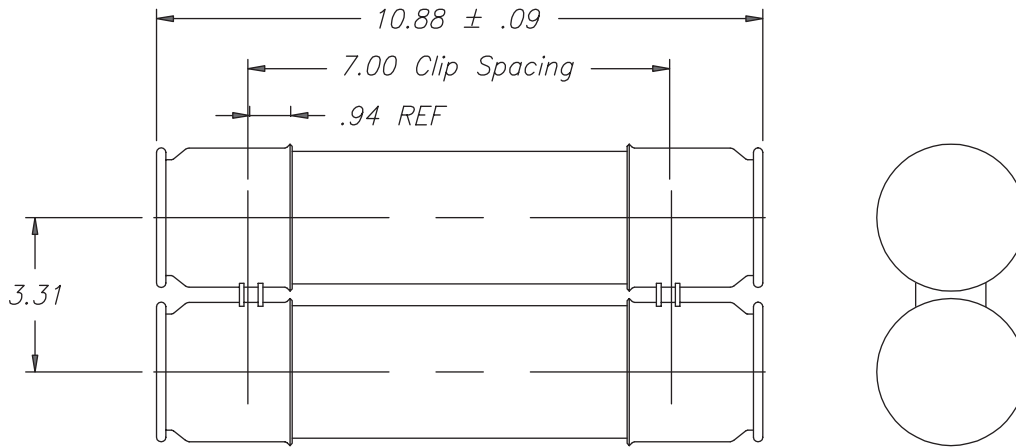


FIG 04 WITH DOUBLE FUSE  
OTHERWISE SAME AS FIG 03

MODEL NO 9F60***	SIZE	FIG	MIN I/C AMPS	MAX KV	CURVE DESIGNATION
LCL302	D	03	195	2.54	2R
LCL303	D	03	270	2.54	3R
LCL304	D	03	370	2.54	4R
LCL306	D	03	580	2.54	6R

MODEL NO 9F60***	SIZE	FIG	MIN I/C AMPS	MAX KV	CURVE DESIGNATION
LCL309	D	03	820	2.54	9R
LCL312	D	03	1150	2.54	12R
MCL318	DD	04	1800	2.54	18R
MCL324	DD	04	2400	2.54	24R

NOTES:

2. MAXIMUM WIDTH FUSE CLIP = 1.50

Updated Routing ECN #K77	Updated approval
K. Carroll 20-Nov-97	T. Grant 8/31/01
11	12
Converted to Acad Removed Indicator	Removed Note 1 (No ECN Ref) Added Min I/C & Max KV To Table for each Model
K. Carroll 31-Oct-95	K. Carroll 16-Sept-96
9	10
RETRACED W/O CHG	Changed Model Numbers
31-July-91 G. DAVIS	G. DAVIS 04-Feb-92
7	8
CPO-V	
CPO-WEB	
PRINTS TO	

MADE BY: R. Wheller 5-Oct-72  
ISSUED BY: K. Carroll 17-November-97

APPROVALS  
Kris Ranjan  
8/31/01

HICKORY  
CPO

202A3079  
CONT ON SH

SH 2