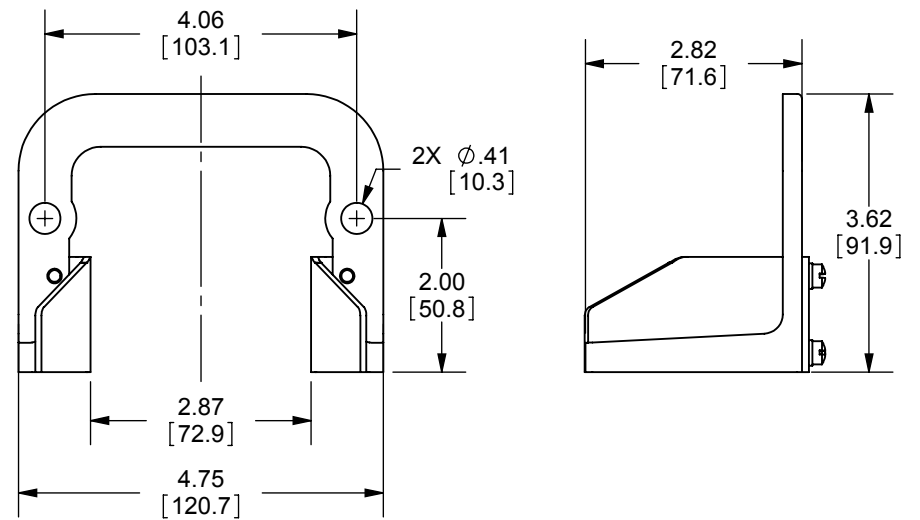
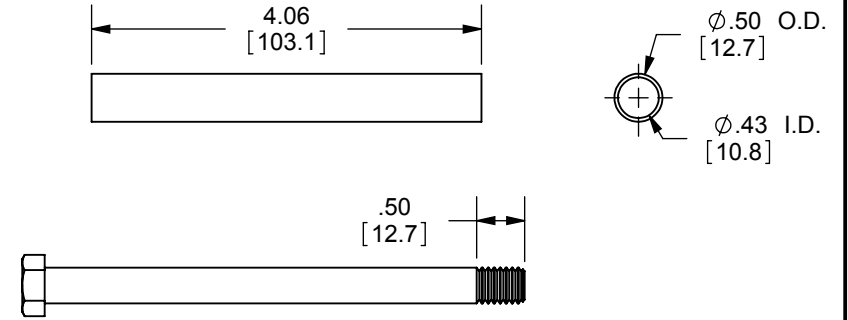
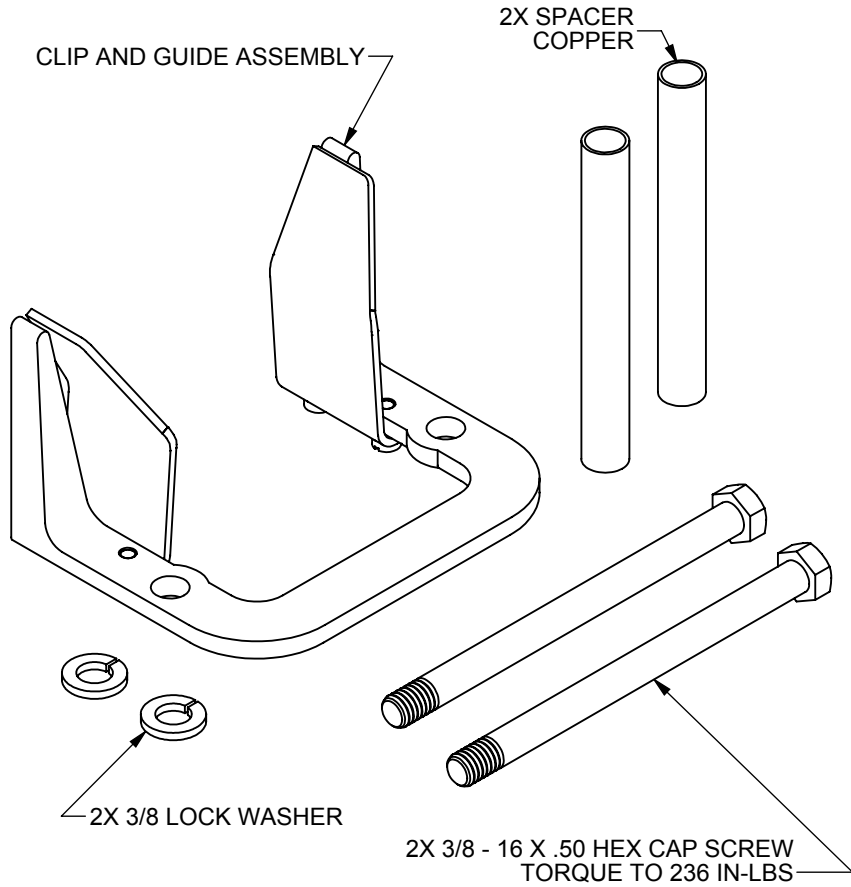


REV.	DATE	ECO	DESCRIPTION	BY	CK	APP
-	8/18/10	N/A	INITIAL RELEASE	RB	NA	N/A



DIMENSIONS IN [] ARE MILLIMETERS



MERSEN USA NEWBURYPORT-MA, LLC
374 MERRIMAC STREET
NEWBURYPORT, MA 01950

9F61BNW402
CONVERSION KIT
D TO DD FS

OUTLINE DIMENSIONS
NOT TO BE USED FOR PRODUCTION

701515

PRODUCT MANAGER

SIGN:

DATE:

DESIGN ENGINEER

SIGN:

DATE: