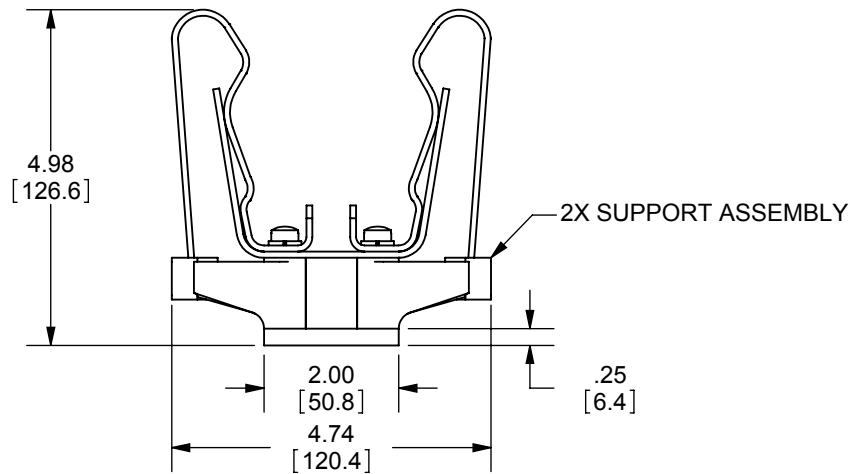
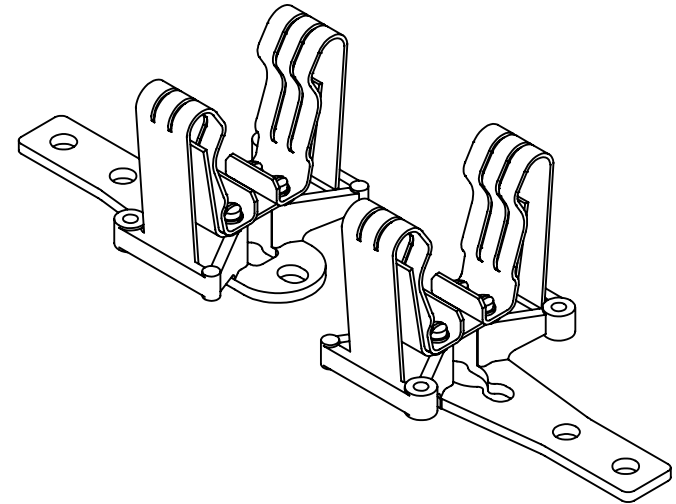
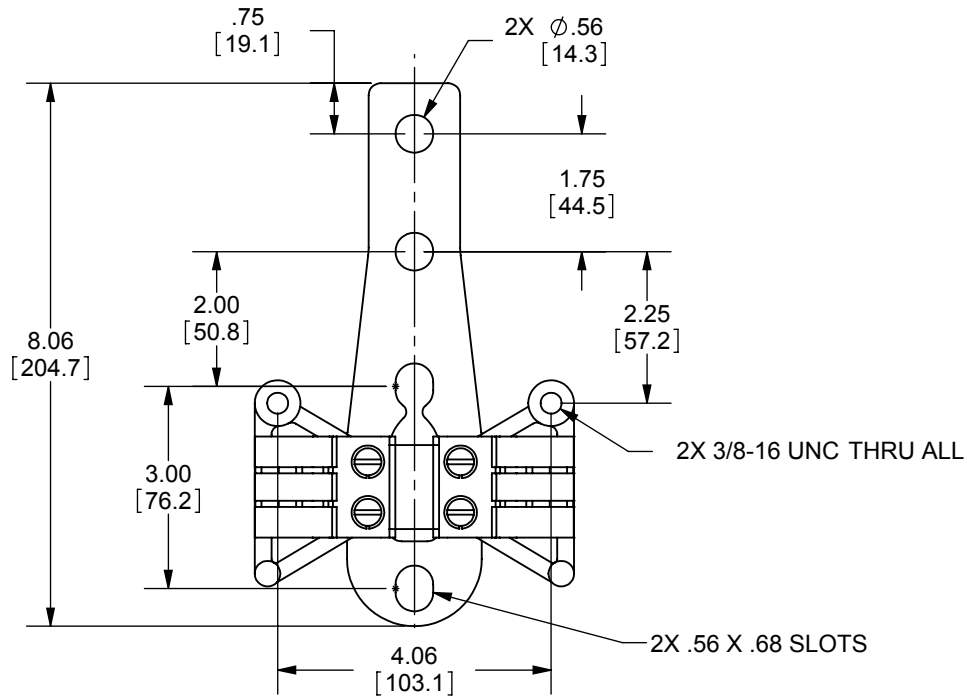


REV.	DATE	ECO	DESCRIPTION	BY	CK	APP
-	8/26/10	N/A	INITIAL RELEASE	RB	NA	N/A



DIMENSIONS IN [] ARE MILLIMETERS

OUTLINE DIMENSIONS
NOT TO BE USED FOR PRODUCTION

701534



MERSEN USA NEWBURYPORT-MA, LLC
374 MERRIMAC STREET
NEWBURYPORT, MA 01950

9F61BNW744
SP 3 IN. D LONG
LIVE PART

PRODUCT MANAGER
SIGN:
DATE:

DESIGN ENGINEER
SIGN:
DATE: